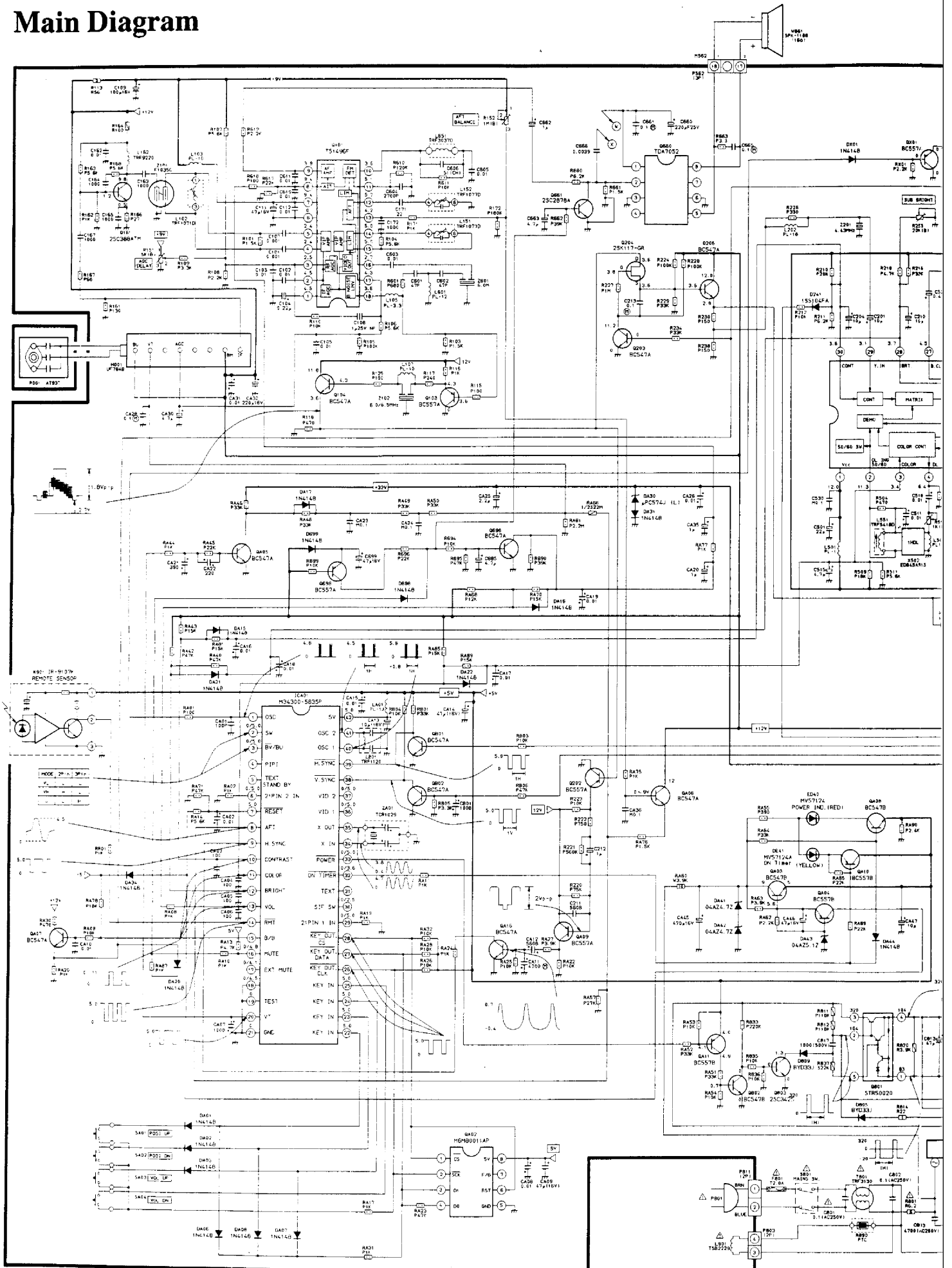
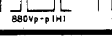
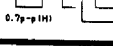
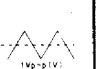
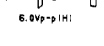
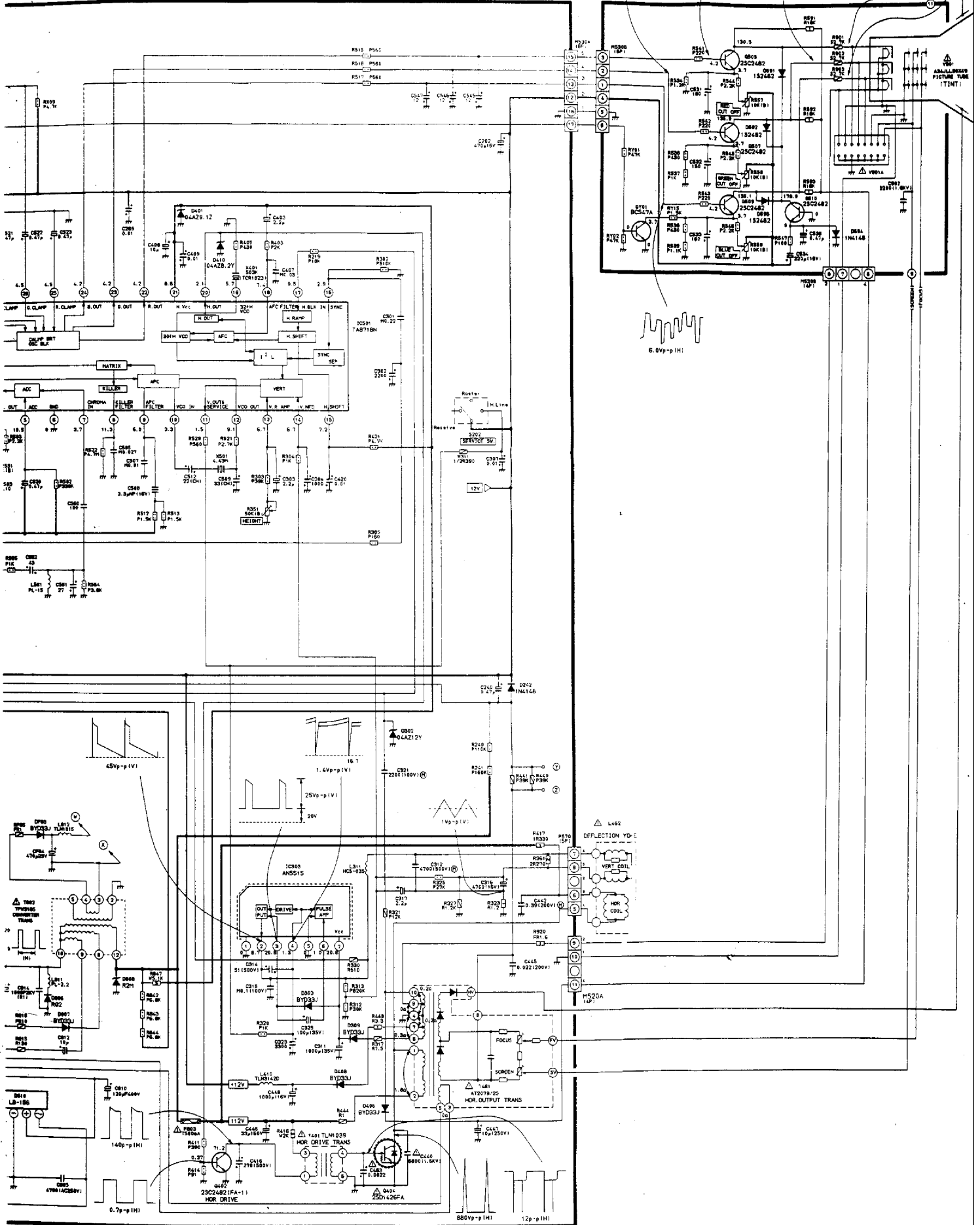


Main Diagram

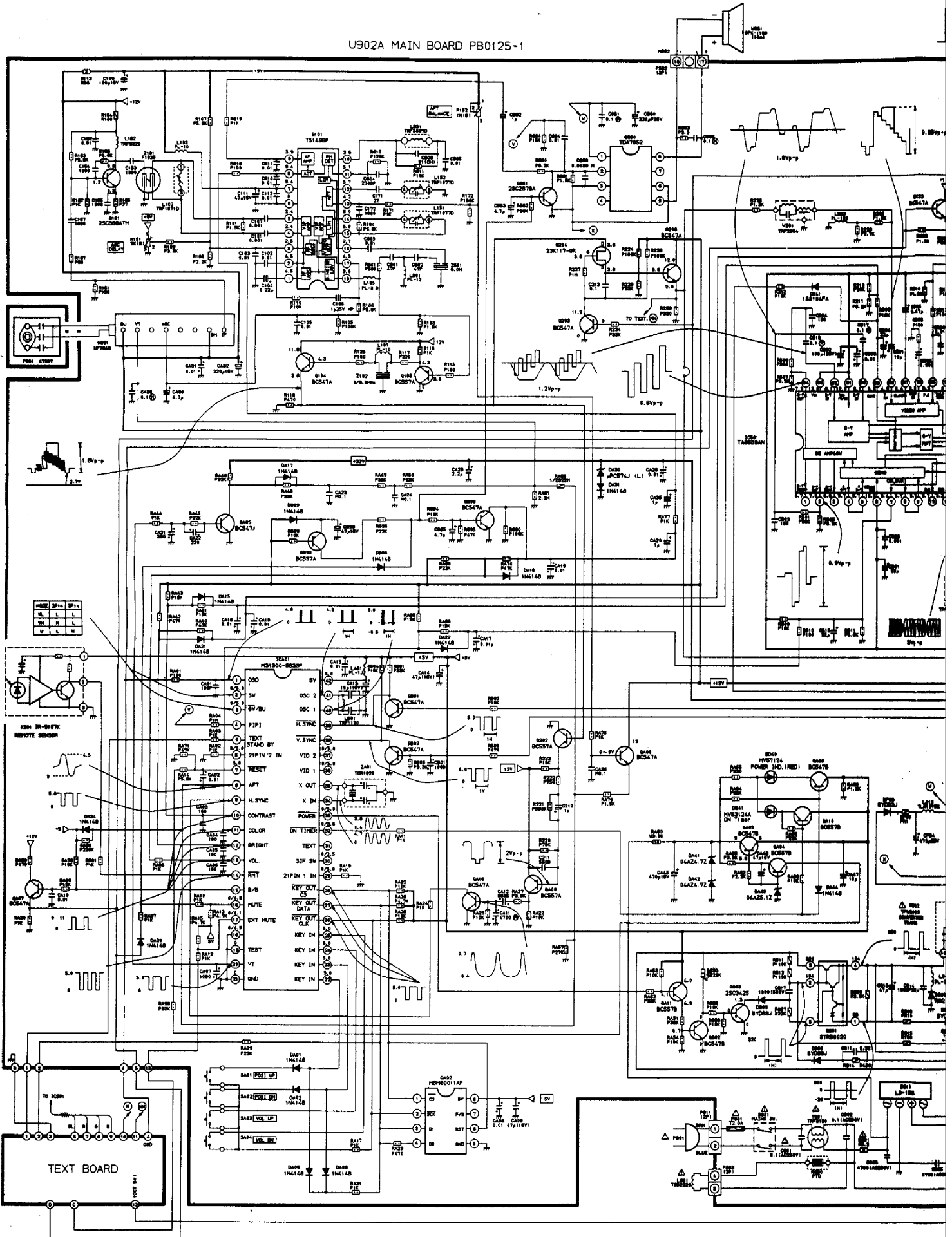


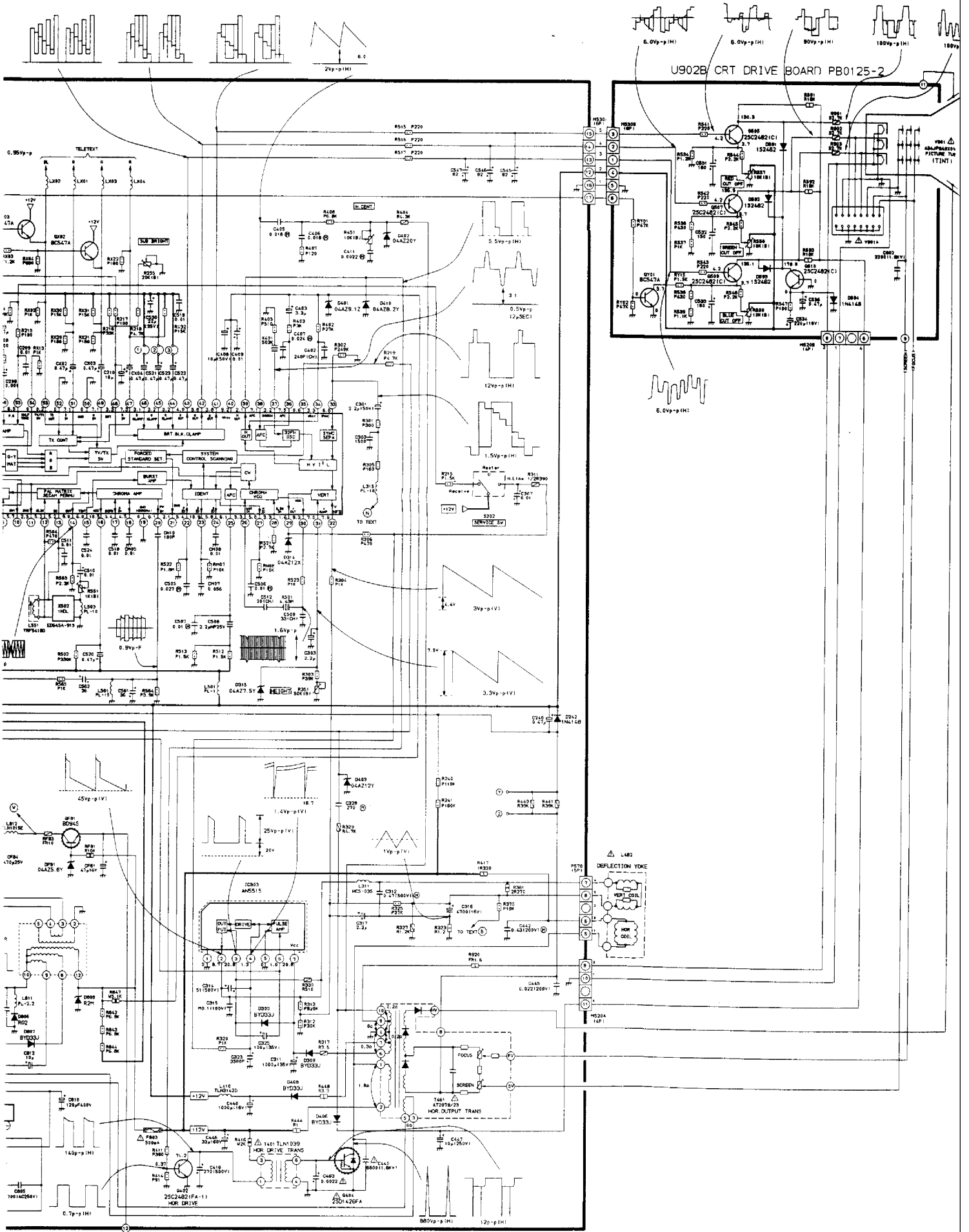
U902A MAIN BOARD PB0085-1

U902B CRT DRIVE BOARD PB0085-2



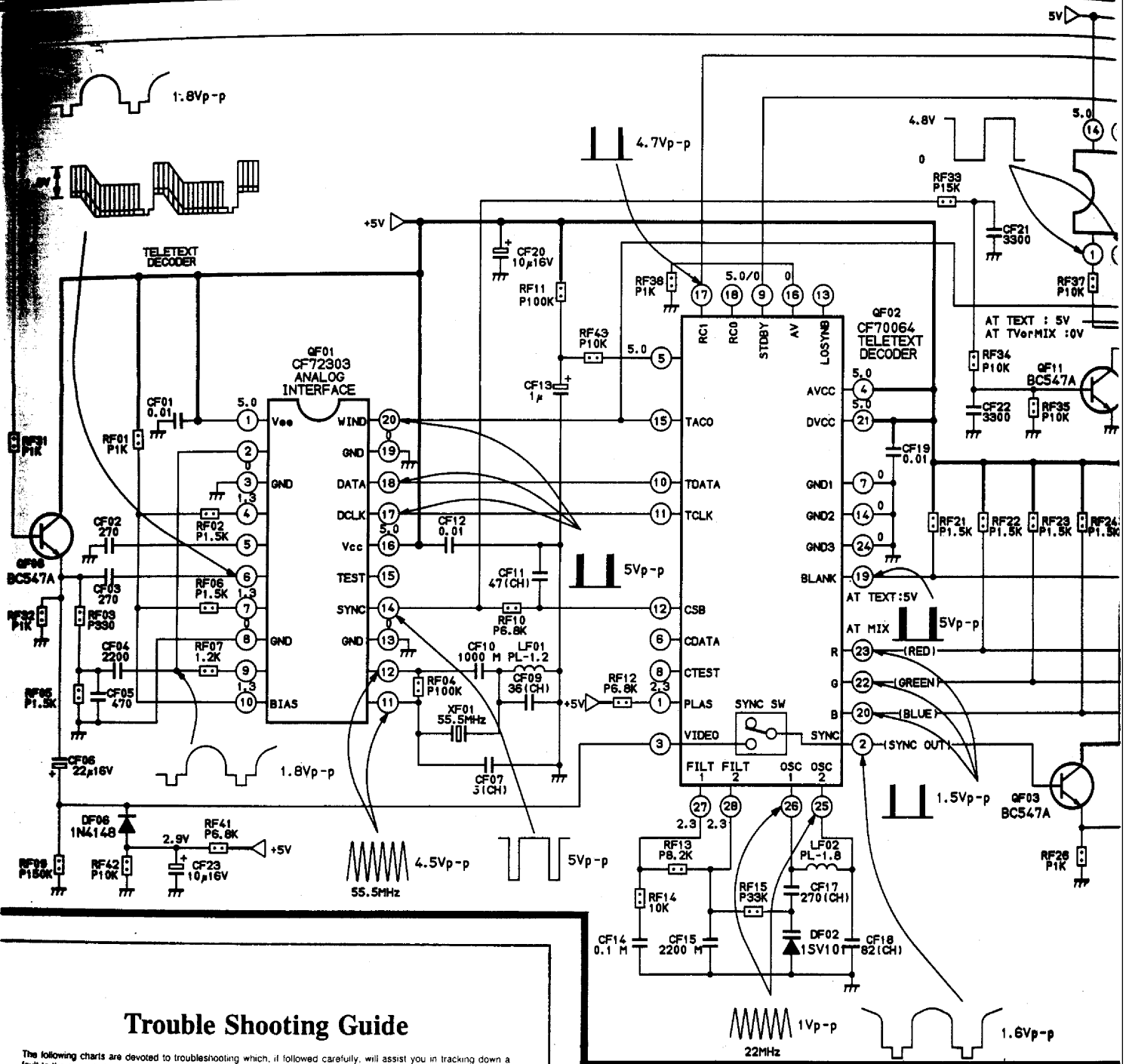
U902A MAIN BOARD PB0125-1





Teletext Circuit Diagram

003A TEXT BOARD PB0126

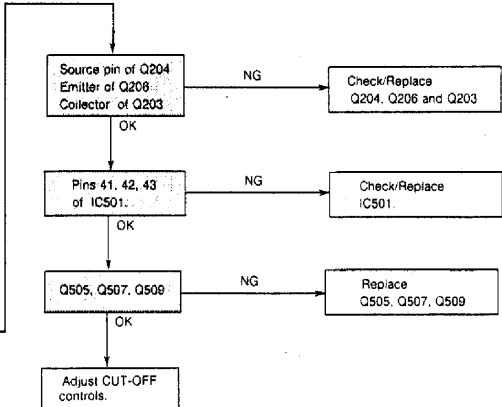
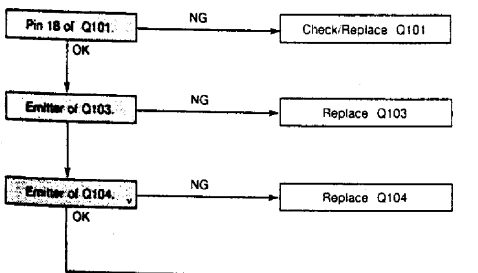


Trouble Shooting Guide

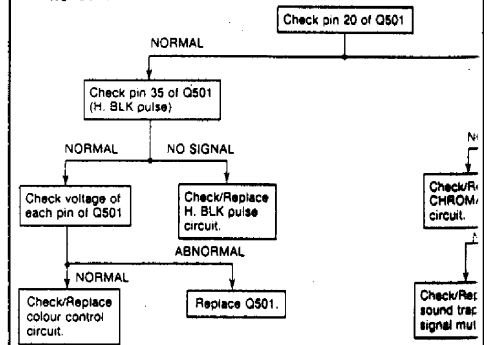
The following charts are devoted to troubleshooting which, if followed carefully, will assist you in tracking down a fault to the correct stage. In order to utilize the charts (fault trees), firstly establish the complaint, i.e. - No Raster, No Sound. Locate the chart applicable and then progress through the various alternatives until a final block indicates the offending components or stage.

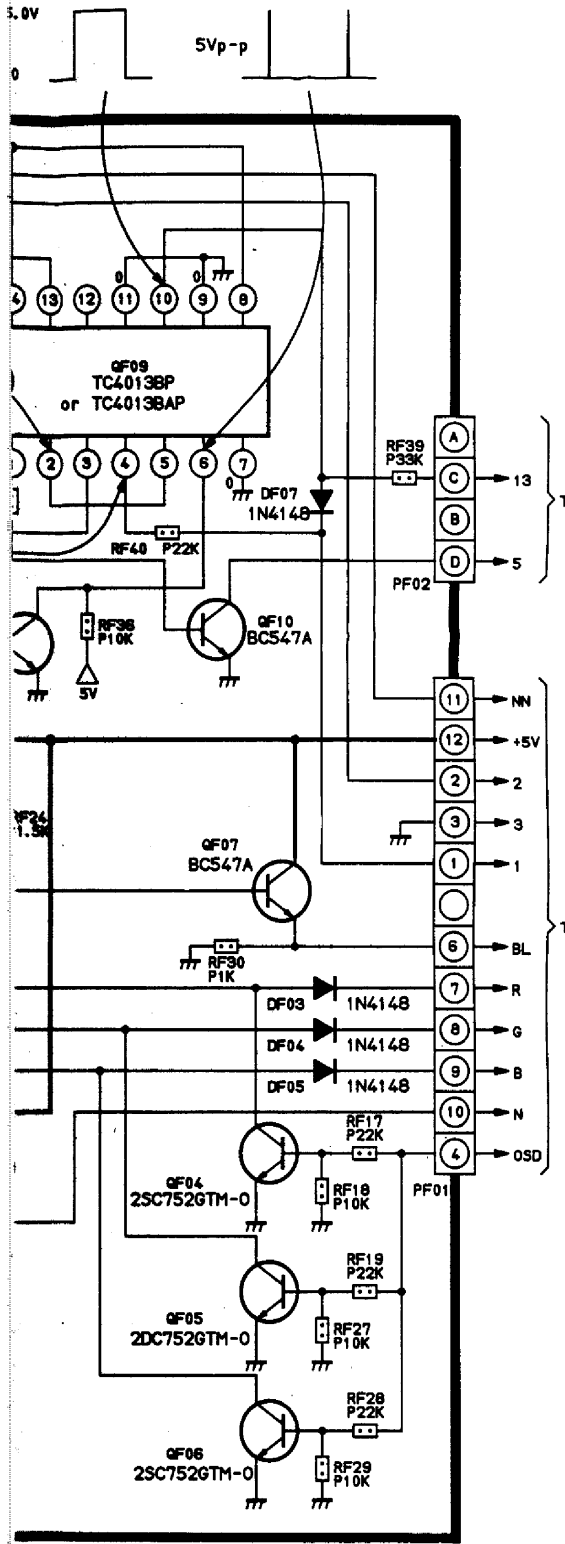
NO PICTURE

Check video signal waveform for shaded area below.



NO COLOUR





General Information

June 1990
CRT A34JLL90X49
 Text

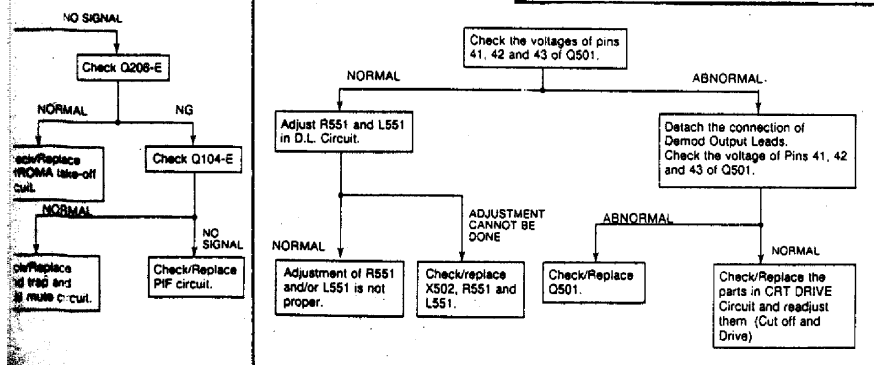
Electrical Parts Lists Semiconductors

Location No.	Part No.	Description	Location No.	Part No.	Description
IC101	23318201	IC, T51496P	Q801	23114521	Transistor (STR), STR50020
IC303	23119548	IC, AN6515	Q802	23114632	Transistor, BC547B
IC501	B0379475	IC, TA8659AN	Q803	A6361601	Transistor, 2SC3425 (LB)
IC660	23318487	IC, TDA7052	QA03	23114632	Transistor, BC547B
ICA01	23319010	IC, M34300-583SP	QA04	23114546	Transistor, BC547B
ICA02	23318482	IC, M6M8011AP	QA05	23114689	Transistor, BC547A
ICF01	23318486	IC, CF72303	QA06	23114689	Transistor, BC547A
ICF02	23318485	IC, CF70064	QA07	23114689	Transistor, BC547A
ICF09	B0470045	IC, TC4013BAP	QA08	23114632	Transistor, BC547B
Q103	23114691	Transistor, BC557A	QA09	23114691	Transistor, BC557A
Q104	23114689	Transistor, BC547A	QA10	23114546	Transistor, BC557B
Q161	A6708871	Transistor, 2SC388ATM	QA11	23114546	Transistor, BC557B
Q202	23114691	Transistor, BC557A	QA16	23114689	Transistor, BC547A
Q203	23114689	Transistor, BC547A	QB01	23114689	Transistor, BC547A
Q204	A6041876	Transistor, 2SK117-GR FA-2	QB02	23114689	Transistor, BC547A
Q206	23114689	Transistor, BC547A	QF03	23114689	Transistor, BC547A
Q303C	23035308	Screw, 8TB3X85ZN	QF04	A6734590	Transistor, 2SC752(G)TM-Y
Q402	A6330069	Transistor, 2SC2482 FA-1	QF05	A6734590	Transistor, 2SC752(G)TM-Y
Q404	A6888654	Transistor, 2SD1426	QF06	A6734590	Transistor, 2SC752(G)TM-Y
Q505	A6330059	Transistor, 2SC2482	QF07	23114689	Transistor, BC547A
Q507	A6330059	Transistor, 2SC2482	QF08	23114689	Transistor, BC547A
Q509	A6330059	Transistor, 2SC2482	QF10	23114689	Transistor, BC547A
Q510	A6330059	Transistor, 2SC2482	QF11	23114689	Transistor, BC547A
Q661	A6342200	Transistor, 2SC2878-A	QF81	23314374	Transistor, BD945
Q698	23114689	Transistor, BC547A	QX02	23114689	Transistor, BC547A
Q699	23114691	Transistor, BC557A	QX03	23114689	Transistor, BC547A
		TRF5418D	QY01	23114689	Transistor, BC547A

Safety Parts

Item	Part Number	Description
C 440	24082078	PF, 6600pF, +/- 3%, 1600V
C 463	24212222	CD, 2200pF, +/- 10%
F 801	23144896	Fuse, 2A
F 803	23144876	Fuse, 0.5A
L 462	23227386	Deflection Yoke, YS-57762
L 901	23200781	Coil, Degaussing, TSB-2229
P 801	23171814	Power Cord
Q 404	A6868654	Transistor, 2SC1426
QY 1	23114689	Transistor, BC547A
R 801	24007848	Cement, 6R2, 5W
S 801	23145434	Switch, Power, 2C2P
T 401	23224983	Trans. Horiz. Drive, TLN1039
T 461	23236255	Trans. Flyback, AT2079/23
T 801	23211929	Line Filter, TRF3130
T 802	23217078	Trans. Converter, TPW3185
V 901	A5154139	Picture Tube, A34JFQ40X(W), SVC
V 901 A	23902022	Socket, CRT, 8P

SPECIFIC TINTED COLOUR



MATRIX

Item	See Model
Adjustments	Toshiba 1400RBT/RBW
Trouble Shooting Guide (other than 5-7)	Toshiba 1400RBT/RBW
Other Safety Components	Toshiba 1400RBT/RBW